

IR Microphone Education System

CWB-32

- ✓ **Infrared technology**
- ✓ **Dual Channel**
- ✓ No interferences between rooms (wireless transmission)
- ✓ **Strong 50W** power output (max)
- ✓ **Independent System** works on its own
- ✓ **Easy to Install** - wall-mountable
- ✓ **Provisions** for additional cable mic & auxiliary inputs
- ✓ **For Indoor Use**



comm CWB-32, the IR Microphone Education system is the most effective solution for Educational schools where individual rooms are to be equipped with powerful sound systems.

- Transmitting Range up to **10 metres** (*Subject to site conditions*)
- Using **External Infrared Sensor** to effectively enlarged the transmitting area
- **Tone Code Security**, Compression Circuit to prevent interferences

SPECIFICATIONS

General

Modulation : FM
 Frequency Response : 50Hz ~ 15KHz \pm 3dB
 SNR : \geq 80dB
 Power Output : 50W (max)
 Distortion : less than 1%

Infrared Receiver

Receiving Mode : Infrared
 Receiving Frequency : 2.35MHz and 2.85MHz
 AF Output : 650mV AF 1KHz
 Dimensions : (L) 270 x (W) 121 x (H) 307 (mm)

Infrared Microphone

Transmitting Mode : Infrared
 Transmitting Frequency : 2.35MHz and 2.85MHz
 Transmitting Range : 10m *
 Battery : 4 x 1.2V rechargeable batteries
 Current Consumption : 240mA



Package Consists of:

- | | |
|--|-----|
| 1) Main System Unit (Built-in Receiver) | x 1 |
| 2) Bodypack Transmitter | x 1 |
| 3) Handheld Microphone | x 1 |
| 4) Output Signal Cable | x 1 |
| 5) Battery | x 2 |
| 6) User Manual | x 1 |
| 7) External Infrared Sensor with 10m Cable | x 1 |

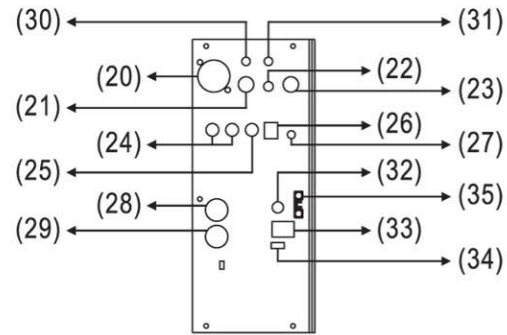
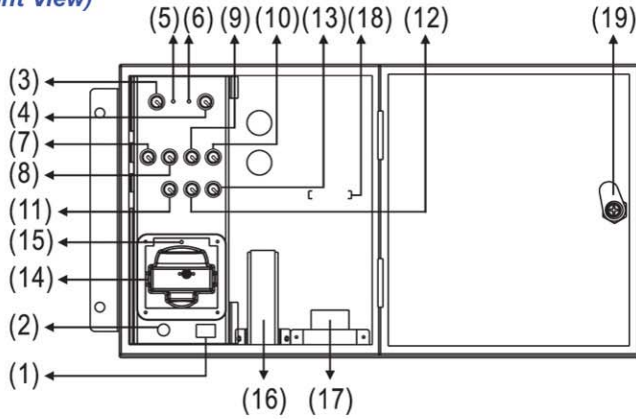
All products information and specifications are subject to changes without prior notice.

IR Microphone Education System

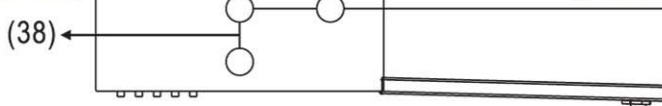
CWB-32 Accessories

A) MAIN Amplifier IR Unit

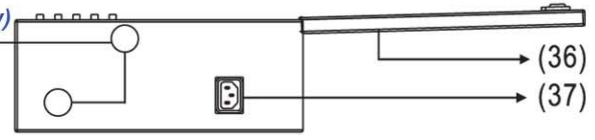
(Front View)



(Top View)



(Bottom View)



- | | | |
|-----------------------------|--|----------------------------------|
| (1) Power Switch | (14) Bodypack Rechargeable Compartment | (26) DC 18V In |
| (2) Fuse | (15) Charging Indicator of Bodypack | (27) DC Out |
| (3) IR MIC-1 Volume Control | (16) Adapter Compartment | (28) EXT Speaker Jack (+) |
| (4) IR MIC-2 Volume Control | (17) MIC Rechargeable Compartment | (29) EXT Speaker Jack (-) |
| (5) RF LED Indicator CHA | (18) Handheld MIC Holder | (30) Infrared B In |
| (6) RF LED Indicator CHB | (19) Lock | (31) Infrared A IN |
| (7) MIC-1 Volume Control | (20) Balanced Wired MIC-1 In | (32) Priority Volume Control |
| (8) MIC-2 Volume Control | (21) Unbalanced Wired MIC-2 In | (33) Fixed Voltage Input |
| (9) AUX-1 Volume Control | (22) AUX-1 In | (34) Switch for changing voltage |
| (10) AUX-2 Volume Control | (23) LINE Out | (35) Cable Buckle |
| (11) Treble Volume Control | (24) AUX-2 In | (36) Front Cover |
| (12) Bass Volume Control | (25) MIC Pre Out | (37) AC In |
| (13) Master Volume Control | | (38) Holes for cables |

B) INFRARED Body-Pack Transmitter c/w Clip-On Mic

Transmitting Mode : Infrared
Transmitting Frequency : 2.35MHz



C) Handheld Microphone

Transmitting Mode : Infrared
Transmitting Frequency : 2.85MHz



D) EXTERNAL Infrared Sensor c/w 10m Cable



E) Classroom Installation Scenario A

